



**Zion Lutheran School**  
708-747-7490  
708-747-1194 (fax)

**Parent Memo**  
February 3, 2010  
Principal: Douglas Rebeck  
E-Mail Address: [drebeck@zlsmatteson.org](mailto:drebeck@zlsmatteson.org)

*Chapel Every Wednesday at 8:45AM*

**MISSION STATEMENT:**

*To teach and equip students and their families for a life of service as Christ's disciples in an ever changing world.*

---

**"Lutheran Schools ~ A Great Place to Grow"**

"Securing Each Child's Future – For a Life of Service" 1Corinthians 12:5

**Looking Ahead**

- |             |   |
|-------------|---|
| February 3  | Science Fair check up form goes home to be filled out           |
| February 4  | Mary Bethune "Black History" Assembly - 1:30PM                  |
| February 5  | Science Fair check up form comes back to school                 |
| February 12 | Valentines' Parties / P.T.L. Daddy - Daughter Dance 6:30-9:00PM |
| February 13 | Basketball Tournament at Crete, 10AM<br>first game              |
| February 15 | Presidents' Day - No School                                     |
| February 18 | Teacher's Meeting 1:30PM; Early<br>Dismissal, 1:30PM            |
| February 19 | Mid-Terms; Volleyball HOME game vs.<br>Crete, 7PM               |
| February 20 | Spelling Bee in Bourbonnais                                     |
| February 23 | Market Day  |
| February 26 | V-Ball game HOME vs. Trinity, Lansing 7:00PM                    |
| February 27 | V-Ball game away vs. Country Club Hills 1:00PM                  |
| February 28 | Choir/Chimes and Bells 9:00AM service.                          |



***SPORTS PRACTICES THIS NEXT WEEK (February 3 - February 10))***

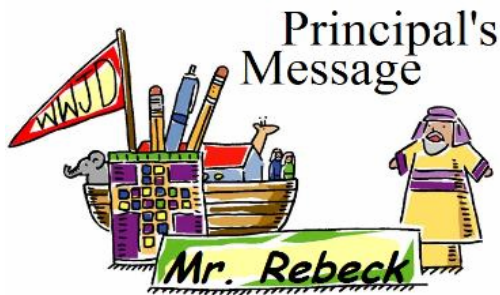
Girls' Cheerleading practice Thursday - 3:15 -5:15 PM(gr. 5-8)

Boys' Basketball practices Mondays 3:45 - 5:45 PM and Wednesdays 4:15-6:15PM

Girls' Volleyball practice Tuesday - 3:15 - 5:00 PM

**What's inside:**

- ▶ Principal's Message
- ▶ Science Fair news
- ▶ New Chapel Project News
- ▶ Volunteer Tally Sheet for February
- ▶ Parent School Climate Survey
- ▶ Science Fair Check Up #1



Greetings,

As some of you who have been here awhile know, for the past year, a committee called "School Emphasis" was formed as a group to assist the school board and church in building up enrollment and to get the word out that Zion is alive and well. Publicity and planning of promotional events was their main purpose to promote our summer program, "The Village" and our school. Their goals were met this past fall and now

some of their purposes are being sent back to either the school board, church council, or the PTL. The school board will concentrate on registration, enrollment, and the general direction of the school. The church council will now oversee marketing and advertising of the school. Any school activities/events or functions will now be handled through our PTL.

So far this year, the PTL has been successful in fund-raising and events but we need more input and participation by our school families. Kathy Hagenwald has done a fine job so far with this but she can't do it alone. So, there will be a parent/teacher meeting Monday, February 22<sup>nd</sup> at 7:00 p.m. for the sole purpose of getting together to get parent opinions and suggestions for "jumpstarting" up our PTL to run and serve our school community more effectively and helpful in the success of Zion.

Please plan to come to this meeting and bring ideas and suggestions so that the PTL can serve our students and families as we all work together *"to teach and equip students and their families for a life of service as Christ's disciples in an ever changing world."*

*Douglas C. Rebeck*  
Principal

**February/March**  
**PROJECT – Hearts**  
**for Jesus**



Our *Hearts for Jesus* offerings this year will be contributed to the ministry of Chicago/Rockford congregations with inner-city schools. Each student received a coin bank yesterday. Banks may be returned at any time to your student's teacher. Students are encouraged to keep the bank until the end of March. If it is filled up, return it to school and we will exchange it out for an empty one. What a great opportunity for family involvement and a chance to share the love of

Jesus with others! This project will extend through March.

**E-MAIL**  
**CHANGE**

Please note the change in e-mail address for Mr. Rebeck. Please use: **[drebeck@matteson.org](mailto:drebeck@matteson.org)** if you wish to contact him for any reason.





**SIX FLAGS GREAT AMERICA SIX HOUR READING CLUB**

READ TO SUCCEED! Zion students, Kindergarten through Grade 6, will once again participate in this reading incentive program.

**COMPLETED TALLY SHEET DUE** – Friday, February 19

1. Students who complete the requirements will receive a SIX FLAGS ticket (valid June 14-August 8, 2010 only)



2. Each student ticket will be accompanied by information for a special discount offer for up to four family members so that families can celebrate their children’s accomplishments and join in on the fun.

If you would like to have some resource materials to accompany this program, please go to:

[http://sixflags.weeklyreader.com/wild\\_about\\_reading/](http://sixflags.weeklyreader.com/wild_about_reading/)

And go the Parent’s Page.

**BASKETBALL**

The Boys’ Basketball / Girls’ Cheerleading participated in the South Suburban Lutheran Athletic League’s tournament, Friday, January 29<sup>th</sup> at St. Paul’s, Oak Lawn. We are very proud of all of them for the effort they all gave representing Zion. Yes, we lost, 38-19, but there are signs that next year we will have something to build on and improve. Now, on to Crete (1610 Main St., Crete) for the February 13<sup>th</sup> tournament (10:15 AM game and if we lose, then another game around 2:00PM. and if we win, another game around 3:15 PM. A letter and directions to Crete were passed out Monday.

**SURVEY ATTACHED**

A survey is attached for each family to fill out as part of our Accreditation project we are now undertaking. Please take time to fill it out and return it next week. No need to sign it. Just be honest. Our students also will be filling out their version survey soon. Results will be of value to our subcommittees that will be evaluating and reporting on our school.

**African-American**



**HISTORY MONTH**

**BLACK HISTORY MONTH**

**Please mark TOMORROW, Thursday, February 4, for a Black History Assembly on the life of Mary Bethune starting at 1:30 p.m. in our gym. This assembly will feature a professional actress who will portray her and perform for our students her life and contributions. Parents and families are invited to attend this assembly with the students if you are able to.**

This assembly kicks off our Black History month where time will be spent in each classroom learning from educational booklets each child will receive. One book goes through famous African Americans past and present who have contributed throughout our history in areas like science, government, education etc. Other students will use a book on ten (10) days in black history that changed our nation.

**BAND OLYMPICS**

Band parents are welcomed to watch our band students perform at the “Band Olympics” February 12<sup>th</sup> at 9:00 a.m. in the music room. If you can, come and join us.

## VOLUNTEERING OPPORTUNITIES

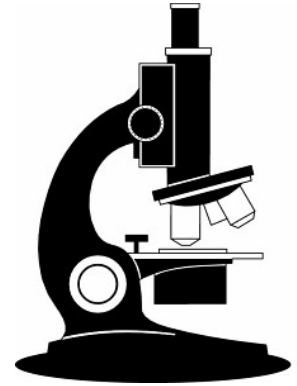
There are four areas where we can use some help from parents. These opportunities can count as part of your volunteering program. Please call the people mentioned below if you can help out with any or all.....

- **DADDY – DAUGHTER DANCE:** We need a few more people to help with setting up this February 12<sup>th</sup> activity that involves a reception from 6:30-7:00 and the dance from 7:00-9:00PM. Contact either Kathy Hagenwald @ 708 481-3156 or Tangie Swire @ 708 969-2090 if you can help out with this.
- **KINDERGARTEN AIDE:** There are three different times during the day when Mrs. Engel could use an extra pair of hands. They are: 10:00-11:00 AM; 12:00 – 12:30PM or 2:00-3:00PM. If you can help out, call the school office at 708 747-7490.
- **SETTING UP AND TAKING DOWN TABLES/CHAIRS:** During our Lutheran Schools Week, we will need help setting up tables for our science fair (set up March 9 and Grandparents' Day (lunch set up March 12) and then take down for the Saturday game (March 13). Details will come as it gets closer but we will need some help....
- **LUNCHROOM VOLUNTEER:** We are still in need of volunteers to help Mr. Rebeck with the lunchroom supervision 11:30AM-12:30PM on Mondays, Wednesdays, and Thursdays. If you can help out (earn your hours for the \$250 tuition credit), please CALL the school office the morning of to make sure you can help.

## SCIENCE FAIR

Students are starting their work for our upcoming Science Fair. The project form has been reviewed by Mr. Rebeck and passed back with comments, revisions, or redo if necessary. **A**

**“CHECK UP FORM”**  
**WILL BE COMING**  
**HOME TODAY TO**  
**SEE HOW THINGS**  
**ARE GOING. THIS**  
**FORM WILL BE**  
**FILLED OUT AND**  
**RETURNED**  
**THURSDAY,**  
**FEBRUARY 5<sup>TH</sup>.**



This fair will be held during our Lutheran Schools' Week from 6:00. until 8:00 PM on March 11<sup>th</sup>. Basically, Kindergarten through grade 3 will be asked to prepare a science demonstration, collection, or model of some area of science. Also, they will need to write up a one page report (to be given later to the students to fill out). Grades 4-8 will each plan, document, carry out, and display an experiment following the **SCIENTIFIC METHOD**. A written report as well as a display will be required.

### **Zion Lutheran's Spiritual Emphasis Ministry**



#### **“SPIRITUAL SNACKS”**

**Lessons Written By Vance Cole**

**February 3, 2010**

**TODAY'S LESSON TOPIC: HUMAN PLANS VS. GOD'S PLANS**

New International Version: Proverbs 21:30

*There is no wisdom, no insight, no plan that can succeed against the LORD.*

New Living Translation Proverbs 21:30 *Human plans, no matter how wise or well advised, cannot stand against the LORD.*

Man thinks that he is so smart but he has a lot to learn. It is so sad that many “educated people” do not have “common sense”. Sadly, the more “book sense” some people have “the dumber” they are. We all know highly educated people that have degrees from some of the greatest institutions in the world but they lack common sense. When man believes that he can do things without God then he is fooling himself. When we begin to stop acknowledging God then we will find ourselves in trouble. Look at our country today and you will see why we have so many problems because we are moving away from God. We say that we are a country under God but our actions say something different. Everyone now is “politically correct”. Everyone has a right to do what he or she wants regardless of whom is offended. When prayer was taken out of public school to compromise the rights of some it has hurt the rights of all of us. God is about order but man is about compromising. This compromising mode is now hurting all of us especially the believer of God. We are now accepting homosexuals as a norm, politicians are up for the highest bidder, and judges are now creating laws instead of interpreting them. God is not pleased with what man is doing!

Throughout our world, men have gain knowledge to provide a better lifestyle but we cannot live in peace. Man will sign a treaty today and be at war tomorrow. The medical communities have made tremendous gains in the past twenty years that have helped the way that we currently live. Man has the ability to use body parts from others to keep people alive. Yes, man has done many things to better our life but likewise through his greed and selfish he has polluted our water and air. Global warming is now starting to change the planet Earth. Man can do some things but God can do all things.

God has the ability to speak and create planets and solar systems that man will never have the ability to understand. Man cannot understand the planet that we currently live on. Man has tried to create life but has failed but God has the ability to take dust and create a living soul. Still man can never be able to prevail against the Lord. In God we live, move and have our being. He is our provider and strength.

Proverbs 16:2 *All a man's ways seem innocent to him, but motives are weighed by the LORD.*

Proverbs 16:7 *When a man's ways are pleasing to the LORD, he makes even his enemies live at peace with him.*

Proverbs 21:2 *All a man's ways seem right to him, but the LORD weighs the heart.*



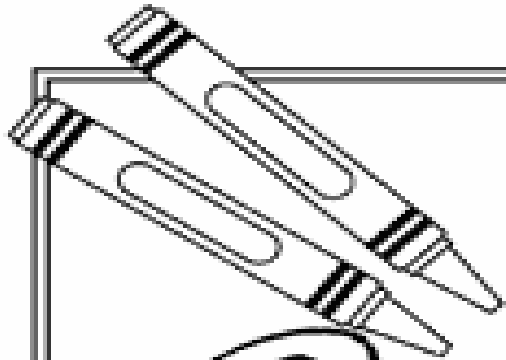
We are always looking for help on sale days, which are usually the third Tuesdays (but not always) of the month. We set up in the church overflow or BASC room starting at 1PM and the sale is over at 3PM. If you are interested in helping please contact Kathy Hagenwald at 481-3156.

Kathy Hagenwald will be taking care of Market Day for Zion. Please support this important P.T.L. (Parent Teacher League) fund-raiser....this is where we get a lot of support for field trips, assemblies and other school-related activities.

*Be on the lookout for 2010-2011 Registration materials to be coming home soon.*

**Opportunities to Grow in His Word:**

Monday Evening Worship 7PM  
 Wednesday Chapel Service 8:45AM  
 Sunday Morning Worship 9AM  
 Sunday Morning Adult Classes –  
 10:30AM  
 (Two classes offered)

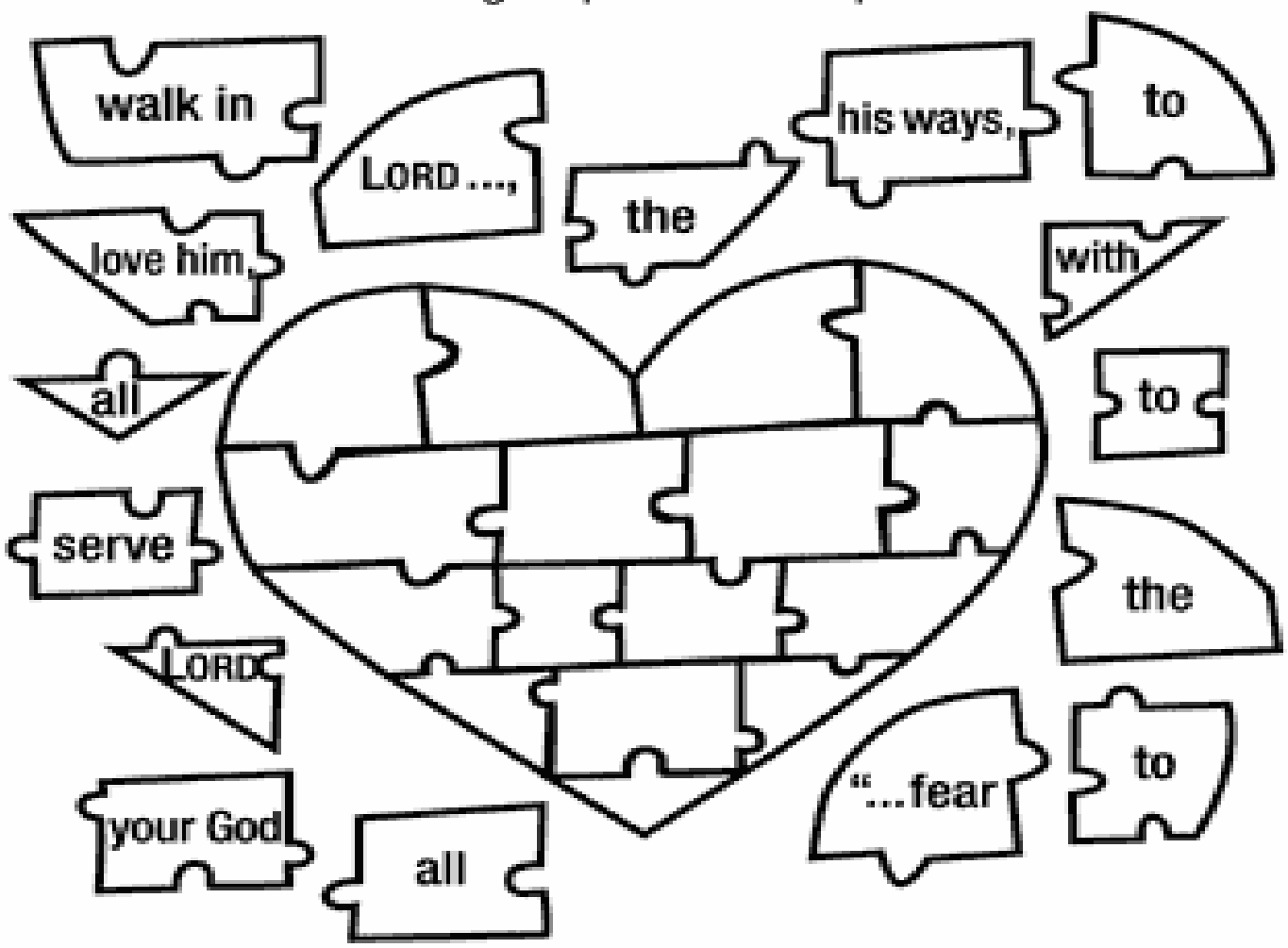


# Just for **KIDS**

## *Our first love*

In Deuteronomy 10:12 (NIV), Israel is asked a question that's also for us to answer: "What does the LORD your God ask of you?"

To find the answer, write the words from the puzzle pieces on the matching shapes in the completed heart.



*... your heart and with all your soul ..."*

Answer: "... fear the LORD ..." to walk in all his ways, to love him, to serve the LORD your God with all ...

## Parent School Climate Survey

Please rate your level of agreement with the following statements concerning our Lutheran school. For each item, circle one number:

- 1 Strongly agree
- 2 Agree
- 3 Neither agree nor disagree
- 4 Disagree
- 5 Strongly disagree

You are invited to comment or give an example to illustrate your response. **If you do not have enough room in this comment section, please attach another sheet. Thank you for your input.**

1. When I attend school functions, a Christian atmosphere is evident and I feel welcome and comfortable.

- 1      2      3      4      5  
Comment:

2. The students demonstrate a Christian attitude toward me and others.

- 1      2      3      4      5  
Comment:

3. The school staff demonstrates a Christian attitude toward me and others.

- 1      2      3      4      5  
Comment:

4. Our Lutheran school provides a positive learning environment for my child.

- 1      2      3      4      5  
Comment:

5. My child(ren) is (are) learning about Jesus and what it means to be a Christian on a daily basis.

- 1      2      3      4      5  
Comment:

6. My legal rights as a parent and the rights of my child are protected by the staff of Zion Lutheran School (e.g. confidentiality of school records and family information is maintained).

1      2      3      4      5

Comment:

7. My opinions are solicited and considered when decisions about our Lutheran school are made.

1      2      3      4      5

Comment:

8. The quality of education at our Lutheran school is at least as good as other area schools.

1      2      3      4      5

Comment:

# SCIENCE FAIR PROJECT TITLES AS OF FEBRUARY 3<sup>RD</sup>.

[Please note: If there is nothing after your name, either a project topic is still being worked out or nothing was turned in]

## **PREKINDERGARTEN**

Ayana Lee  
Ryenne Davis                      Rock Collection  
Mikaila Wright

## **KINDERGARTEN**

Jason Bennett                      Seed Collection  
Sydney Cooper                      Fossils and Dinosaurs  
Emma Dahlman                      Collection of Fruit Seeds  
Jaden Evans  
Aden Faulk  
Amani Gladney                      Rock Collection  
Lenora Houston  
Robert Rauh                      Fossils  
Rosemary Silva                      Shell Collection  
Tyler Willer                      Shell Collection  
Morgan Woods                      Seed Collection  
Briyana Wright                      Collection of Things Found on the Beach

## **GRADE ONE**

Brysen Bankhead                      How to Make an Egg Float In a Glass  
Jordan Clayton                      Volcano Demonstration  
Deztiny Clemons                      Volcano Demonstration  
Kerrigan Franklin                      Volcano Demonstration  
Malachi Gee                      How Airplanes Fly OR Volcanoes  
Anaya Johnson                      Volcano Demonstration  
Lauren McDonald                      The Mammal Eye  
Anton Stalzer                      The Solar System  
Samara Swire                      Building Magnetic Cars  
Jeremiah Thomas  
Phillip Western                      Volcano Demonstration

## **GRADE TWO**

Rixie Davis                      Parts of a Plant  
Christopher Johnson                      Building a Battery  
Jalen Mays                      Rock Collection  
Anthony Thomas

## **GRADE THREE**

Abayomi Akisanya                      Rain Cycle  
Isabella Acosta-Rauh                      Identification of Rocks  
Christian Brown                      Making a Fire Extinguisher  
Joi Cottle                      Model of the Solar System  
Robert Dahlman

Virginia Frazier  
Damon Gladney Jr.  
Noah Goehrig  
Rebecca Hicks  
David Peak  
Justin Tichgelaar  
Jaylen Tucker  
George Western III

Will a Mouse Run Faster for His Favorite Food\*  
Volcano Demonstration  
Making Your Own Electroscope  
Demonstrate Vortex of a Tornado  
Volcano Demonstration  
Potato Battery  
Which Household Disinfectants Kill Bacteria?\*

#### **GRADE FOUR**

Joe Francesconi  
Jackie Jones  
Cyrus Patterson  
Kayla Western

Will Vitamins Affect the Growth of a Plant?  
In What Kind of Material Do Seeds Grow Best?  
Can Temperature Affect the Force of a Magnet?

#### **GRADE FIVE:**

Daniel Bailey  
Sarah Cole  
Chinyera Hicks  
Bryce Johnson  
Kameron Jones  
Jimella Martin  
Evan Wieringa

How Much Does a Pet Drink?  
  
How is the Strength of a Magnet Affected by Different Material?  
Which Kind of Bread Grows Mold the Fastest?  
What Happened to My Apple?  
Stain Removers: Which Works Better?

#### **GRADE SIX:**

John Coatar  
Nehemiah Cole  
Traveris Cottle  
Russell Dahlman  
Nia Freeman  
Donald Hagenwald  
Bryce Johnson  
Malik Mottley  
Terrell Stanley  
Lindsey Wieringa

Will Corn Straight From Stalk Pop Better Than Orville Popcorn?  
The Effects of Acid Rain on Living Things  
Will Plants React to Different Kinds of Substances?  
Can You Tell the Gender of a Person by Their Feet?  
  
Which Chewing Gum Holds Its Flavor the Best?  
Do Different Liquid Substances Affect Plant Growth?  
Does Smoke Affect the Growth of Living Things?

#### **GRADE SEVEN:**

Calvin Bruce  
Ramon Collazo  
Aaron Graham  
Charles Grant  
Taylor Simmons  
Aaron Western

Does Regular Brand Detergent Clean Better than Generic?  
  
Do Plants Grow the Same with Different Color Lights?  
Do Energy Drinks Really Work Verses Water?  
Does Sound Travel Best Through Solids, Liquids, or Gas?

#### **GRADE EIGHT:**

Kayla Cook

Can My Classmates Tell the Difference Between Organic and Organic Pop?

# SCIENCE FAIR PROJECT CHECK UP #1

FEBRUARY 3, 2010

Greetings! The Science Fair Project should be off and running by now. I would like to check to see how things are going and if you have any questions. Please fill out this form and return it to me by **Friday, February 5<sup>th</sup>**.

Is your title still the same as printed on the sheets attached? **YES** or **NO**

If "no," what has it been changed to? \_\_\_\_\_

What are you going to include with your project? AND, how far are you in getting them? [not all of these will apply to your project - circle any that applies to your project]

Pictures	yes	no	not yet	working on them	done
Charts	yes	no	not yet	working on them	done
Diagrams	yes	no	not yet	working on them	done
Photos	yes	no	not yet	working on them	done
Poster board	yes	no	not yet	working on them	done
Display	yes	no	not yet	working on them	done
Written report	yes	no	not yet	working on them	done

Other \_\_\_\_\_

Do you have any questions for me? \_\_\_\_\_

---

---

---

Student Signature: \_\_\_\_\_

Parent Signature \_\_\_\_\_

Parents, do you have any questions for me?

---

---

---



**ZION LUTHERAN SCHOOL**  
**PARENT VOLUNTEER TALLY SHEET**  
**February 2010**  
*Turn in this sheet by March 5, 2010*

Zion Lutheran School relies on the cooperation of both the church and home as we work to bring the best quality Christian education for your child. To that end, we need volunteer help in order to offer the most beneficial programs and events for our children. This tally sheet is for your family to work up to 30 volunteer hours for a \$250 tuition reduction to be used during this current school year. **It is your responsibility to have your volunteer hours verified by having the teacher/supervisor signed and this sheet turned in at the end of each month.** Debbie Hicks will be in charged with keeping track of your hours and will notify the office when you have accumulated 30 hours. Please do not lose this sheet. Again, thank you for your support and cooperation.

In Christ,  
 Douglas C. Rebeck  
 Principal

Family member	Relationship	Date	Event Volunteered	Time Spent	Signature of Teacher/Supervisor

Total for the month:

\_\_\_\_\_